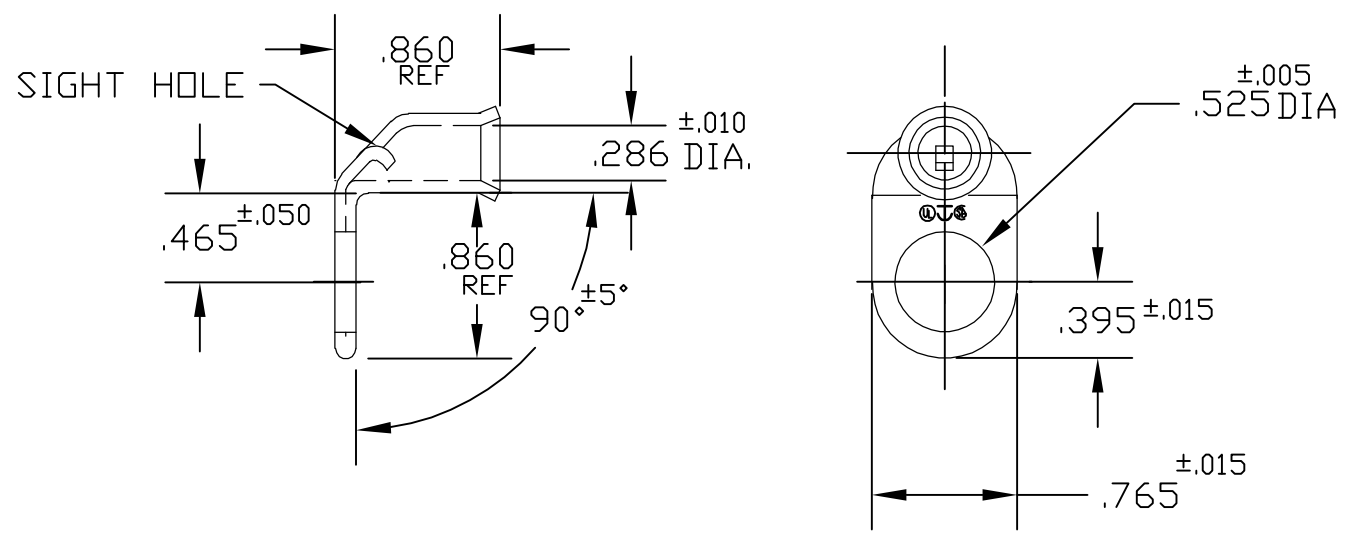


THIS DRAWING IS UNPUBLISHED. RELEASED FOR PUBLICATION
 © COPYRIGHT - BY TYCO ELECTRONICS CORPORATION. ALL RIGHTS RESERVED.

LOC	DIST	REVISIONS					
		P	LTR	DESCRIPTION	DATE	DWN	APVD
G	50		B1	REVISED PER ECR-06-010006	02MAY06	HMR	JR



ACTIVE	4503-11-90	STANDARD	TIN PLATE	1526287-2
ACTIVE	4503-10-90	STANDARD	PLAIN	1526287-1
STATUS	AET P/N	PACKAGING	FINISH	PART NUMBER

THIS DRAWING IS A CONTROLLED DOCUMENT.		DWN D.A.A. 10/25/00	Tyco Electronics Corporation Harrisburg, PA 17105-3608		
DIMENSIONS: INCHES		CHK H.D.F. 10/25/00			
		APVD H.D.F. 10/25/00	4 STANDARD TERMINAL W/SIGHT HOLE & 90° BEND		
TOLERANCES UNLESS OTHERWISE SPECIFIED:		PRODUCT SPEC	RESTRICTED TO		
0 PLC ± - 1 PLC ± - 2 PLC ± - 3 PLC ± - 4 PLC ± - ANGLES ± -		APPLICATION SPEC	SIZE	CAGE CODE	DRAWING NO
MATERIAL COPPER ASTM B-152		FINISH -	A3 00779 C-1526287		
		WEIGHT -	CUSTOMER DRAWING		SCALE 1:1 SHEET 1 OF 1 REV B1